

Medical care

PHANTOM

Perfect relaxation provided by advanced massage science and unprecedented healthcare technology.



 **BODYFRIEND**



Neck Traction

—

We studied the optimal height and shape to maximize neck traction effect without discomfort by conducting numerous sample tests. Based on this, we installed neck traction devices on the head and sub cushion. Phantom Medical is a medical massage device designed to reduce disc pressure and reduce neck pain by making the neck C-shaped.

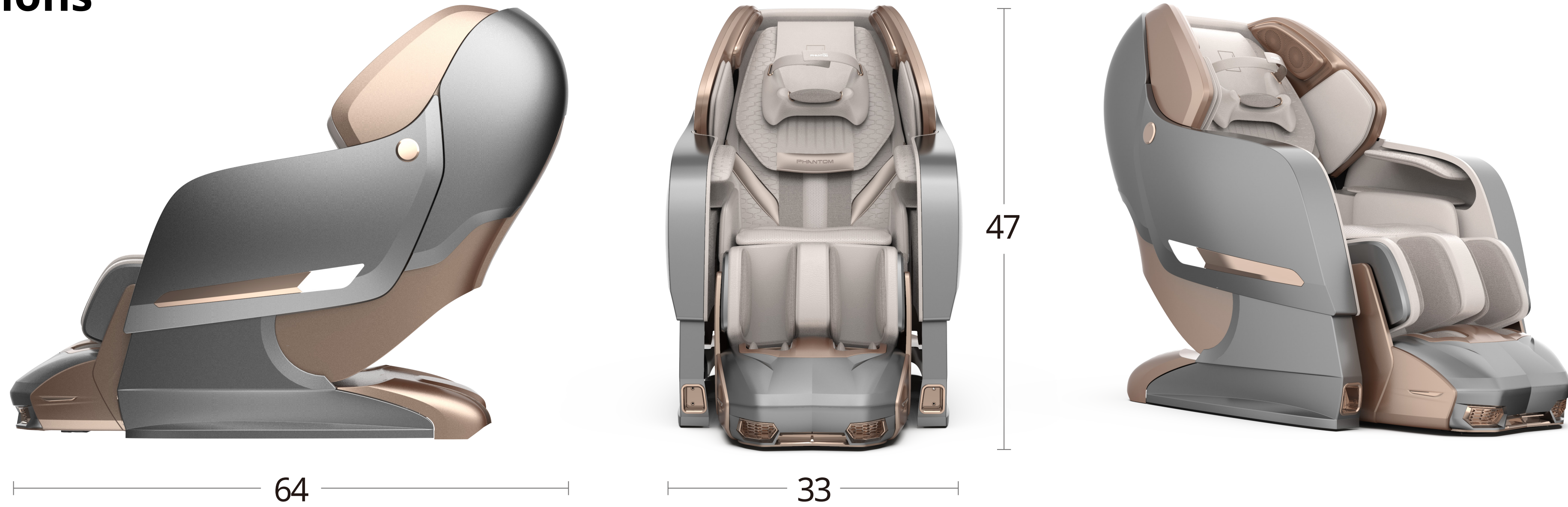


PEMF for pain relief

—

Phantom Medical is equipped with PEMF to relieve pain. PEMF is an abbreviation of Pulsed Electro Magnetic Field. A pulse-type magnetic field formed by the electromagnet installed in the product causes depolarization of cell membranes and stimulates muscles, bones, ligaments and nerves to relieve pain.

Technical Specifications



Neck Disc Treatment



Stenosis Treatment



Pain Relief with PEMF



Thigh Stimulation & Stretch



Airbag Massage for Muscle Stimulation



Advanced XD Massage Module



Thermal Treatment for Pain Relief



Safety Sensors



Brain Massage with Binaural Beat



Voice Guided Meditation Massage

Product Name

PHANTOM Medical Care

Length

64 inch

Width

33 inch

Height

47 inch

Weight

335 lbs

Reclining Angle

115 to 150 degrees

Lower Body Angle

0 to 90 degrees

Power Supply

AC 110~220V

Rated Current

300W

Power Frequency

50~60Hz